



Type 39

2/2-Way Solenoid valve
 NC - Valve non energized closed (Standard)
 Force-pilot operated solenoid valve with plastic housing
 Valve closed by spring power (Standard - NC)

■ Solenoid valve for air & water, neutral and clean

TECHNICAL SPECIFICATIONS

Type of control:	Force-pilot, no differential pressure necessary
Design:	Diaphragm
Connection:	Threaded G1/2 and G3/4 acc. to DIN ISO 228 (BSP)
Installation:	Preferable with actuator upright
Pressure range:	0 - 6 bar
Medium:	Air, water, neutral and clean
Viscosity:	20 mm ² /s
Temperature range:	Medium 0 °C up to +40 °C Ambient 0 °C up to +40 °C
Body material:	PA66
Metallic inner parts:	Stainless steel
Seal:	NBR
Supply voltage:	AC~ 24V, 110V, 230V DC= 12V, 24V
Voltage tolerance:	-10% / +10%
Power consumption:	.012 = 18,5 Watt
Protection class:	IP65 acc. to DIN EN 60529
Duty factor:	100% ED-VDE 0580
Connection type:	Plug

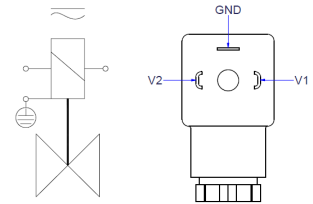
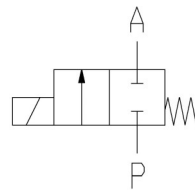
VALVE FEATURES

- For elementary applications (water & air)
- No pressure difference necessary
- Simple and easy valve design
- Lightweight plastic housing

FUNCTION

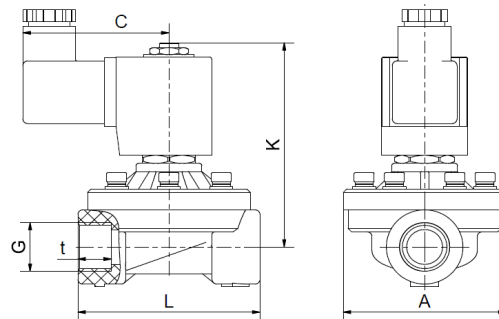
NC - non energized closed

Electr. connection



ORDERING CODE

Type	Coil
. 3 9 2 3 / 3 0 0 1 / . 0 1 2	
Connection 23 G 1/2 24 G 3/4	Material 30 PA66
Seal element 01 NBR	



G	Orifice mm	Kv-value m ³ /h	Type	max. Pressure	Dimensions [mm]					
					A	C	K	L	t	kg
1/2	15	3,0	.3923/3001/.012	0 - 6 bar	68	61	88	76	14	0,52
3/4	20	4,0	.3924/3001/.012	0 - 6 bar	68	61	90	80	15	0,54

- The GSR logo is a registered trademark of GSR Ventiltechnik GmbH & Co. KG.
- Note: All texts and images are the property of GSR Ventiltechnik GmbH & Co. KG and must not be replicated or modified, not even in part, without written approval.
- Original products may differ from the product images shown, due to different materials and the like.
- Subject to error and changes